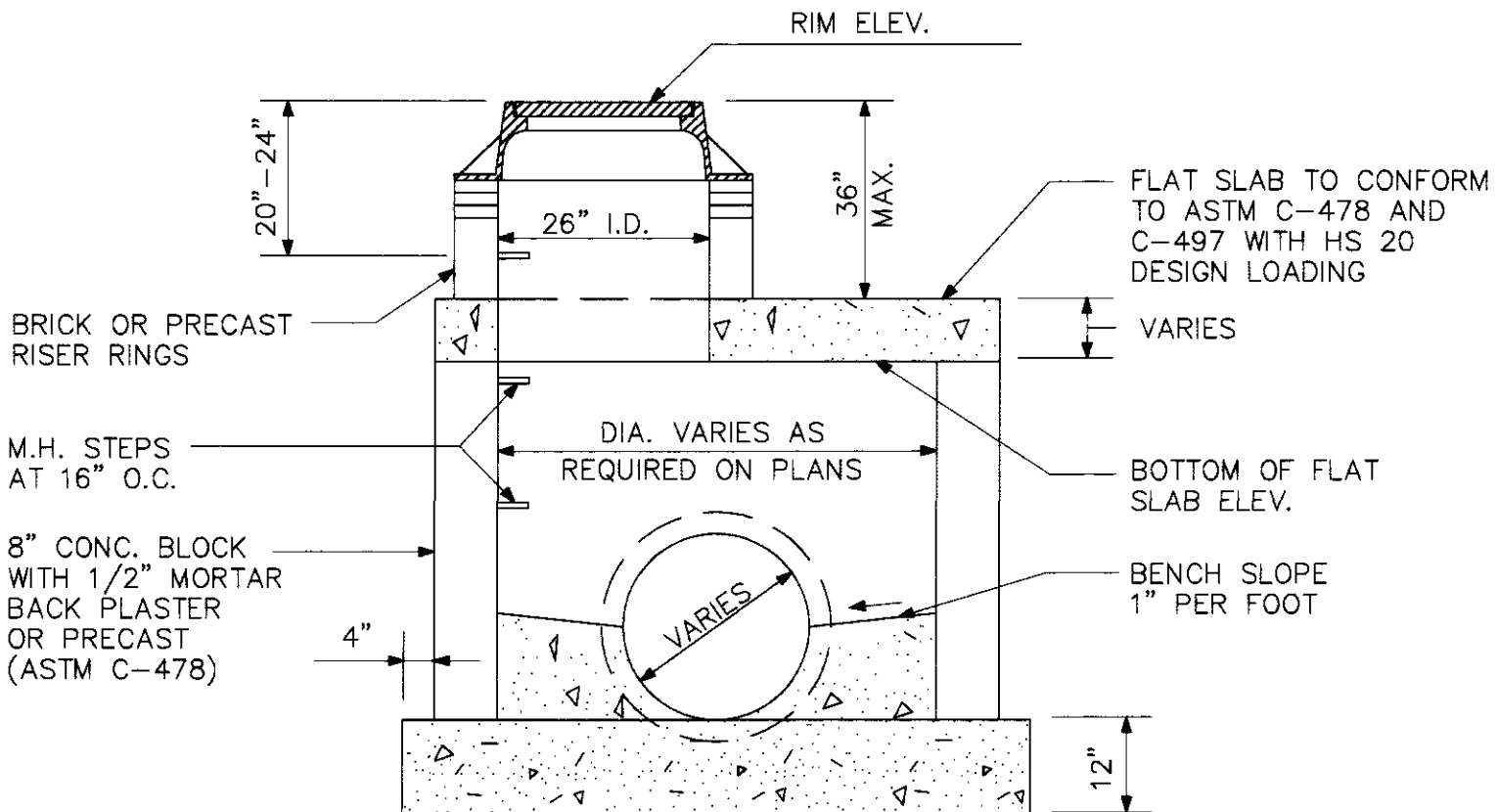


CONE TOP SECTION
(OPTIONAL)



FLAT TOP SECTION

MANHOLE DETAIL