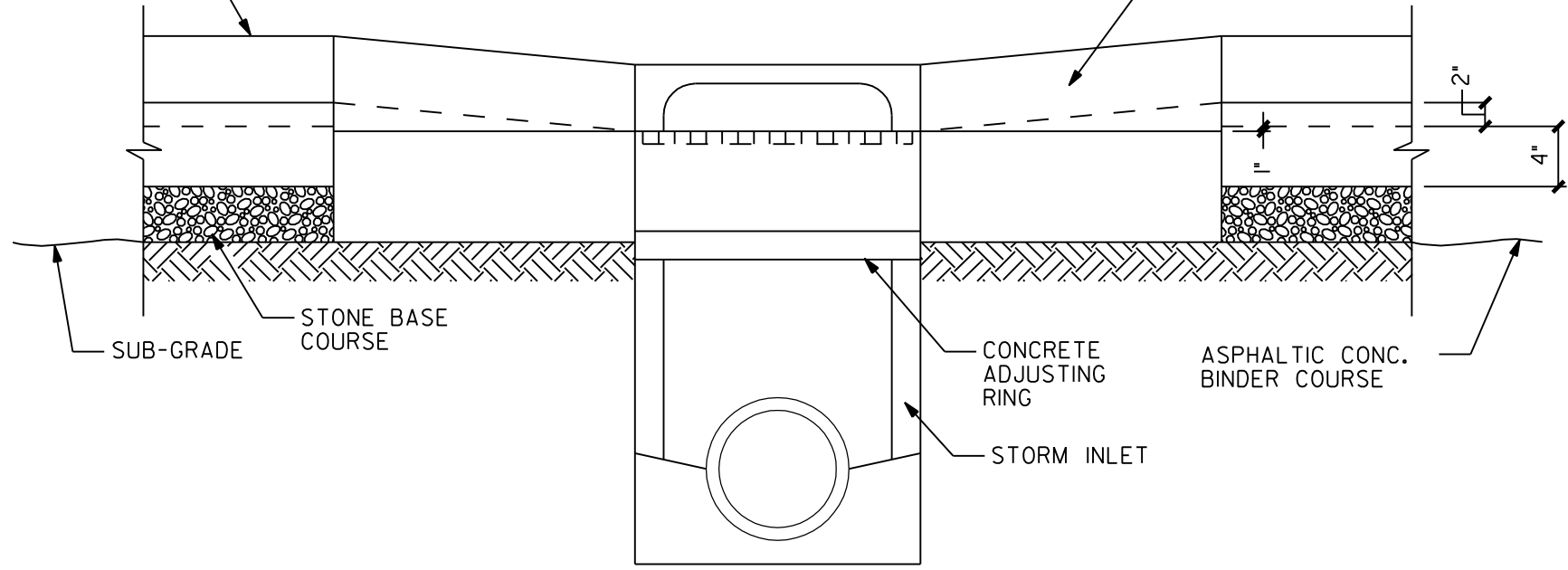


PLAN VIEW

CONCRETE CURB & GUTTER

TEMPORARY ASPHALTIC CONC. CURB & GUTTER



SUB-GRADE

STONE BASE COURSE

CONCRETE ADJUSTING RING

STORM INLET

ASPHALTIC CONC. BINDER COURSE

CROSS SECTION

INTERIM PAVEMENT INLET DESIGN

N.T.S.